



ISA-PLAN® // PRECISION RESISTORS



RTO-A // SIZE SOT 227B (ISOTOP)



Features

- 40 W power rating at 70 °C
- High pulse power rating 3 Joule for 20 ms
- Two terminal resistor
- Mounting in closed housing only
- Compatible with ISOTOP-standard housing
- RoHS 2011/65/EU compliant



Applications

- Snubber-resistor for RC-combination
- Power modules
- Frequency converters
- Switch mode power supplies

Technical data

Resistance values *	Ohm	0.5 to 50
Tolerance *	%	1 / 5
Temperature coefficient (20-60 °C)	ppm/K	<50
Applicable temperature range	°C	-55 to +170
Power rating	W	40 (with heatsink)
Internal heat resistance (R_{thi})	K/W	<2.5
Dielectric withstanding voltage	VDC	2,500
Operating voltage	V	500
Inductance	nH	<100
Stability (Nominal load) deviation after 2000h, T_K = base plate		<0.5 % ($T_K=40$ °C) <1.0 % ($T_K=70$ °C)

* See all standard values and tolerances on page 2



RTO-A // SIZE SOT 227B (ISOTOP)

Assembly instruction

Max. allowed torque for screws

Base plate	Terminal
M4 2 Nm	M4 2 Nm

Specification

Parameters	Test conditions	Specified values
Low Temperature Storage and Operation	-65 °C for 24 h	0.5 %
Moisture Resistance	MIL-STD-202 method 106	0.5 %
Mechanical Shock	100 g, 6 ms half sine	0.5 %
Vibration, High Frequency	20 g, 10-2000 Hz	0.5 %
Operational Life	2000 h, TK max at nominal load	1.0 %
High Temperature Exposure	2000 h / 170 °C	1.0 %
Bias Humidity	+85 °C, 85 r.F., 1000 h	1.0 %

Available standard resistance values and tolerances*

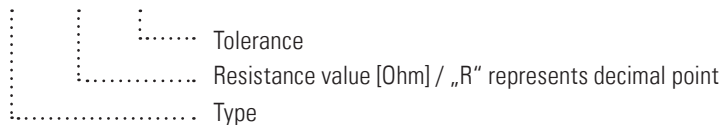
Resistance values	Tolerance	
	1.0	5.0
R500	✓	
1R00	✓	
5R00	✓	
10R0	✓	
20R0	✓	
33R0	✓	✓
50R0	✓	

* Further values and tolerances on request

✓ = available

Ordering code

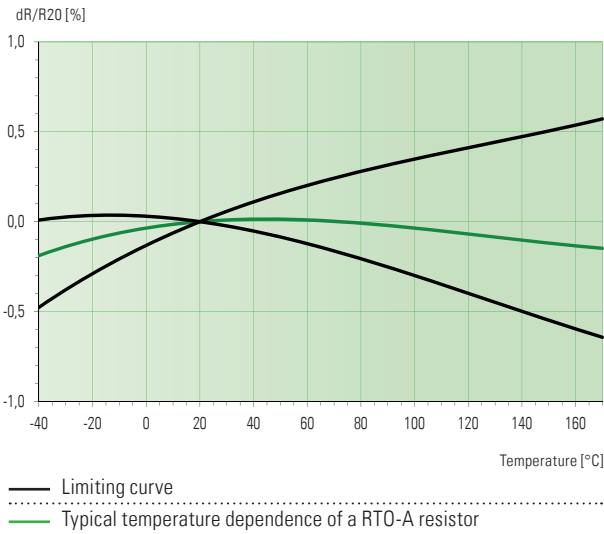
RTO-A - 5R00 - 1.0



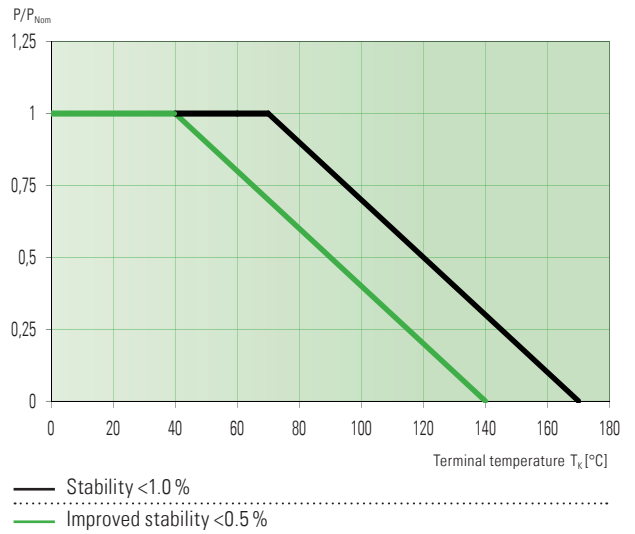


RTO-A // SIZE SOT 227B (ISOTOP)

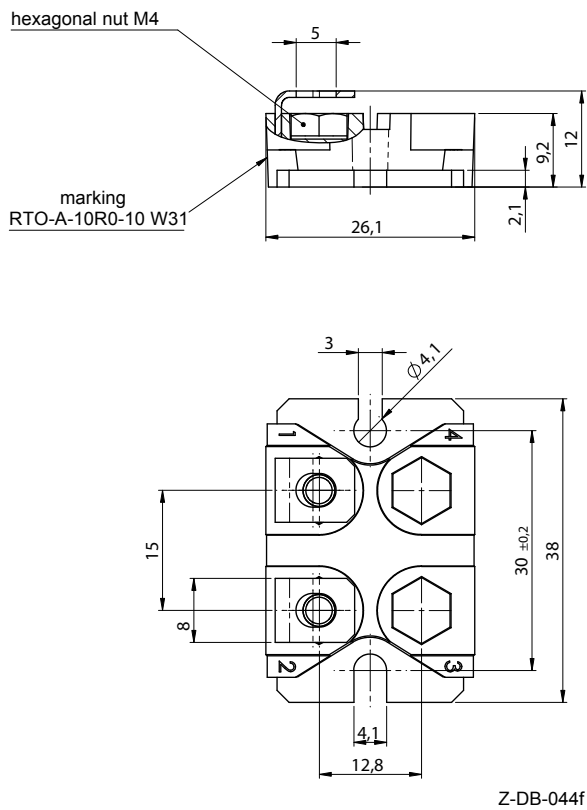
Temperature dependence of the electrical resistance



Power derating curve for heatsink mounted RTO-A



Mechanical dimensions [mm]

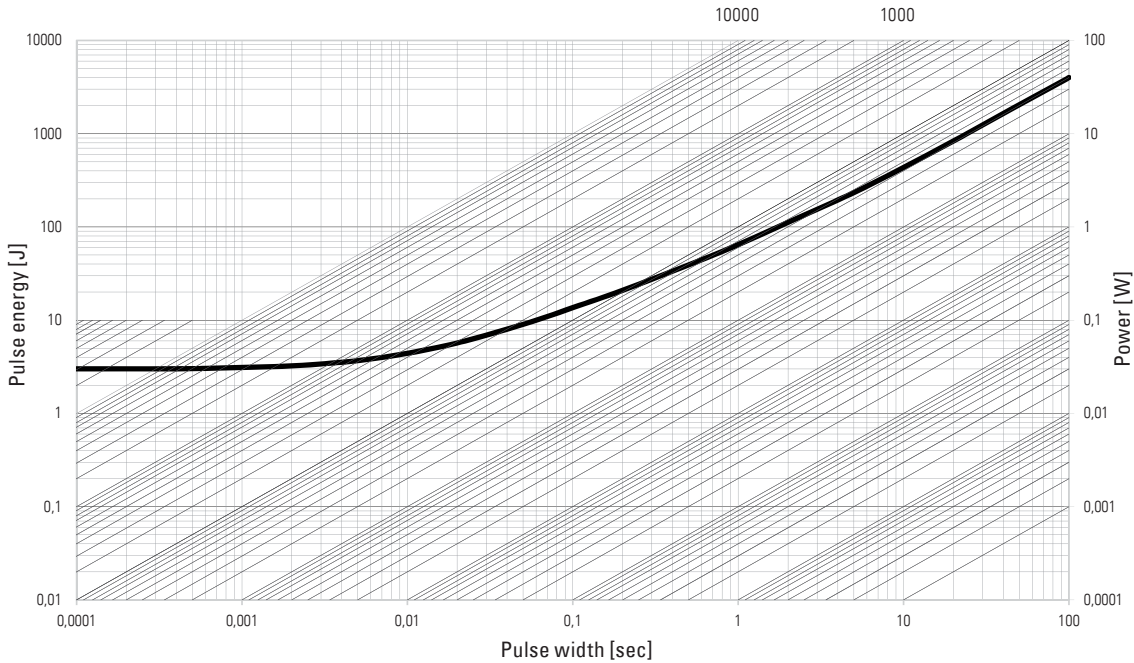


Dimensions without tolerances are acc. ISO 2768-mK



RTO-A // SIZE SOT 227B (ISOTOP)

Maximum pulse energy respectively pulse power for permanent operation



This curve is only valid for the resistance value 1R00. The progression of the curve in the lower range could be different for other resistance values. Therefore a separate qualification should be made in thresholds.

Disclaimer // All products, product specifications and data are subject to change without notice.

The product specifications do not expand or otherwise modify Isabellenhütte's terms and conditions of sale, including but not limited to, the warranty expressed therein. Isabellenhütte makes no warranty, representation or guarantee other than as set forth in its terms and conditions of sale. Information provided in datasheets and/or specifications may vary from actual results in different applications. Any statements made by Isabellenhütte regarding the suitability of products for certain types of applications are based on its knowledge of typical requirements that are often placed on its products. It is the customer's responsibility to validate that a particular product with the properties described in the product specification is suitable for use in the application intended.

No license, express or implied, or otherwise, to any intellectual property rights is granted by this document.

Any and all liability arising out of the application or use of any product shall be as set forth in Isabellenhütte's terms and conditions of sale.

